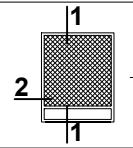


MRP

Moskito system - examples of development

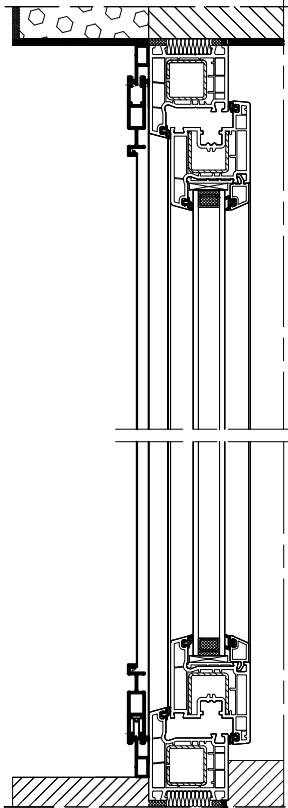


*Piktogram
(description
of the cross
section)*

*Scale
of the drawing*

Scale 1:4

1 | MRP - 01



*Date
of update*

06/2017



MRP / 04

Page number

*Number of the cross
section (as the piktogram)*

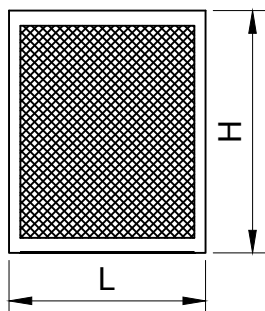
*Variant of the
cross section*

1 | MRP - 01

System

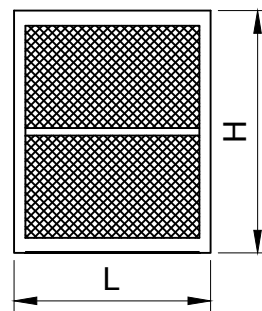
Maximum mosquito systems' dimensions

MRP Sliding insect screens



PG MRP profile

Hmax	= 2000 mm
Lmax	= 1500 mm
Fmax	= H x L = 3.0 m ²



PG MRP with PL MRO profile

Hmax	= 2500 mm
Lmax	= 1700 mm
Fmax	= H x L = 4.25 m ²

Note:

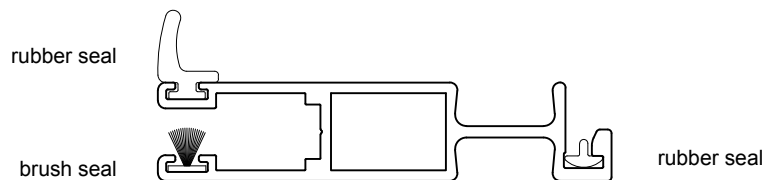
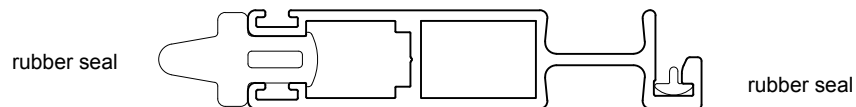
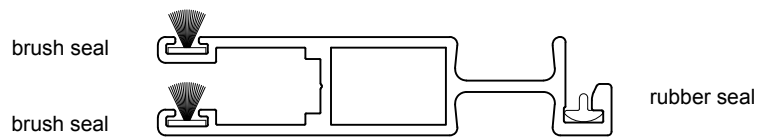
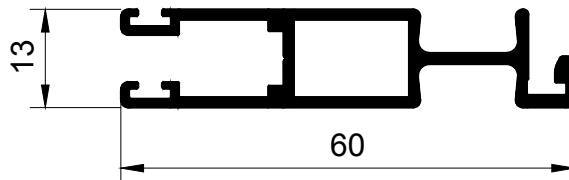
On account of the limited length of rails, the maximal width of an insect screen is 6 meters.

Moskito system profiles

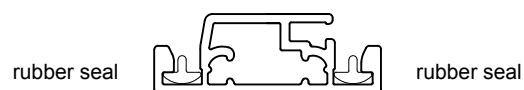
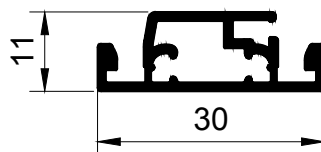
MRP Sliding insect screens

Scale 1:1

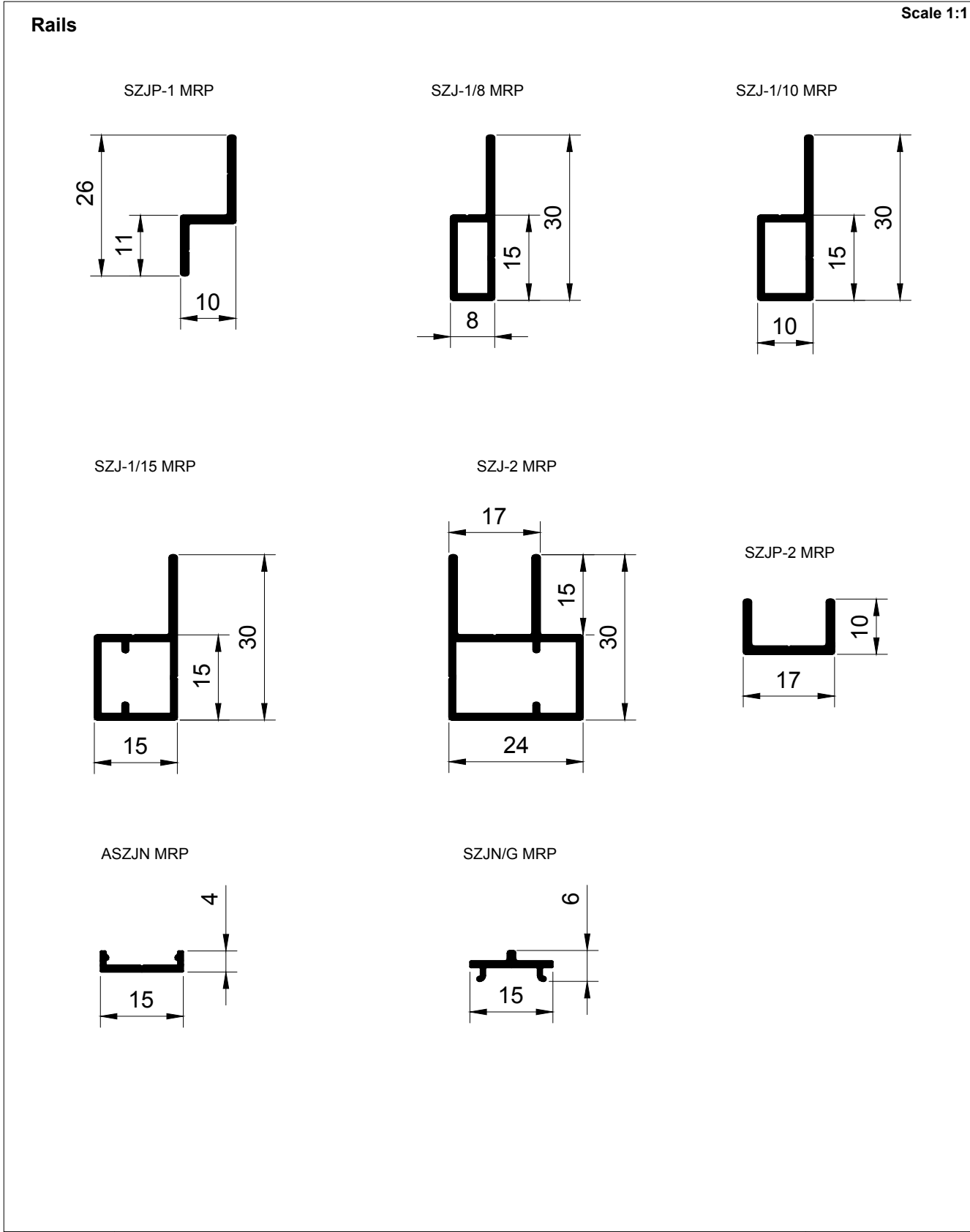
PG MRP



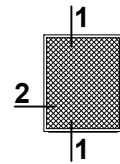
PL MRO



Rails

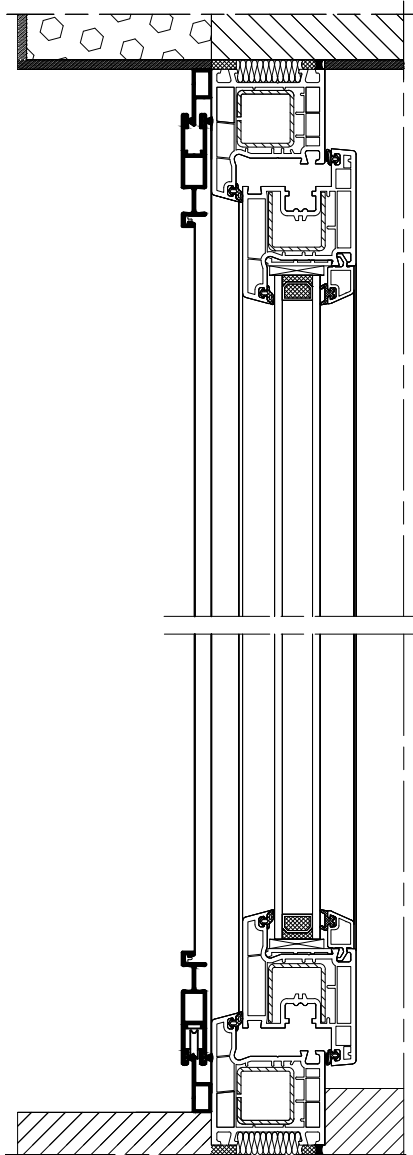


Moskito system - examples of development

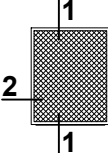


Scale 1:4

1 MRP - 01

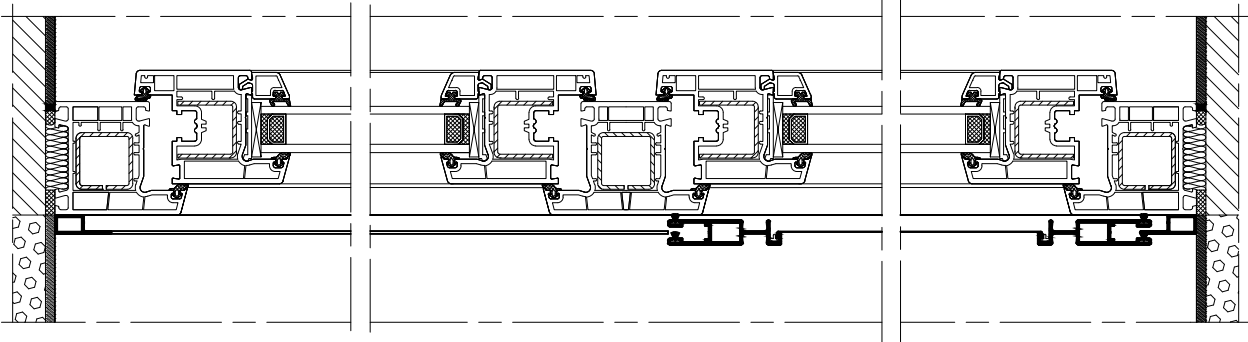


Moskito system - examples of development

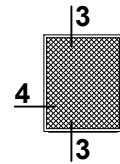


Scale 1:4

2 MRP - 01

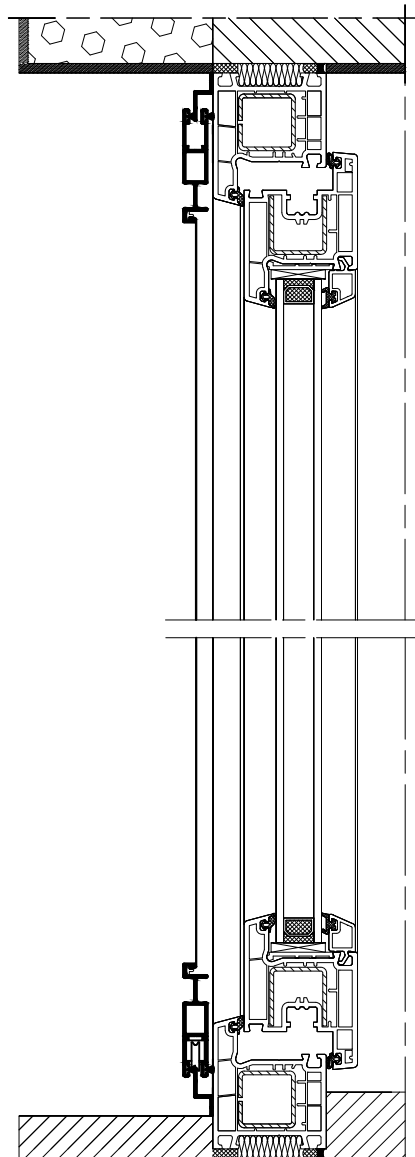


Moskito system - examples of development

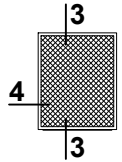


Scale 1:4

3 MRP - 02

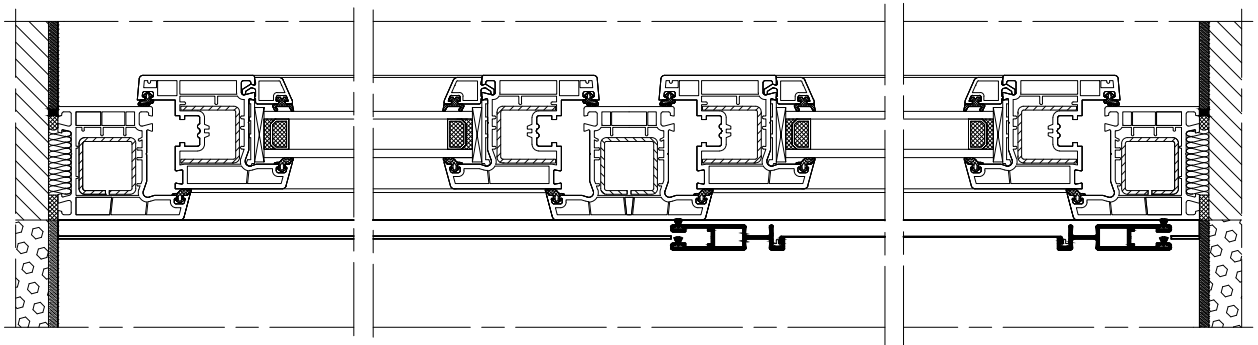


Moskito system - examples of development

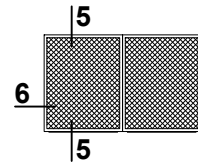


Scale 1:4

4 MRP - 02

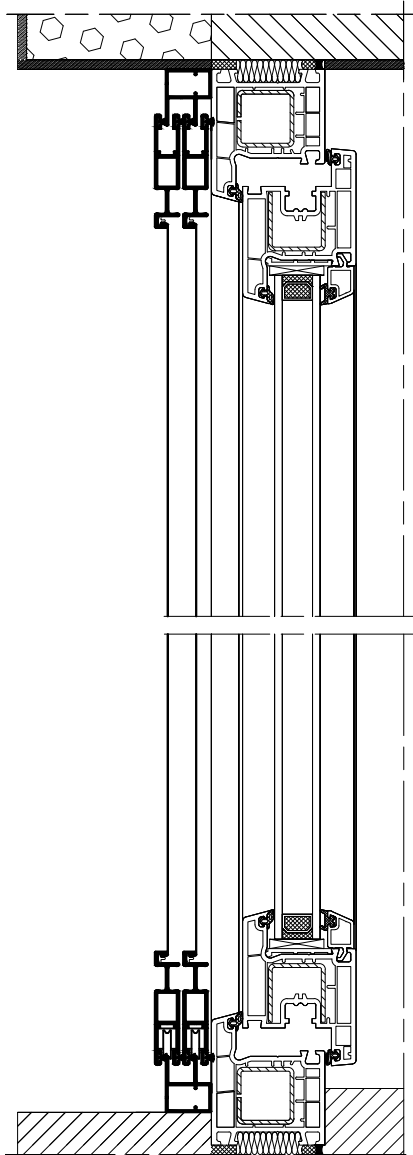


Moskito system - examples of development

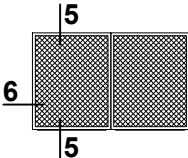


Scale 1:4

5 MRP - 03

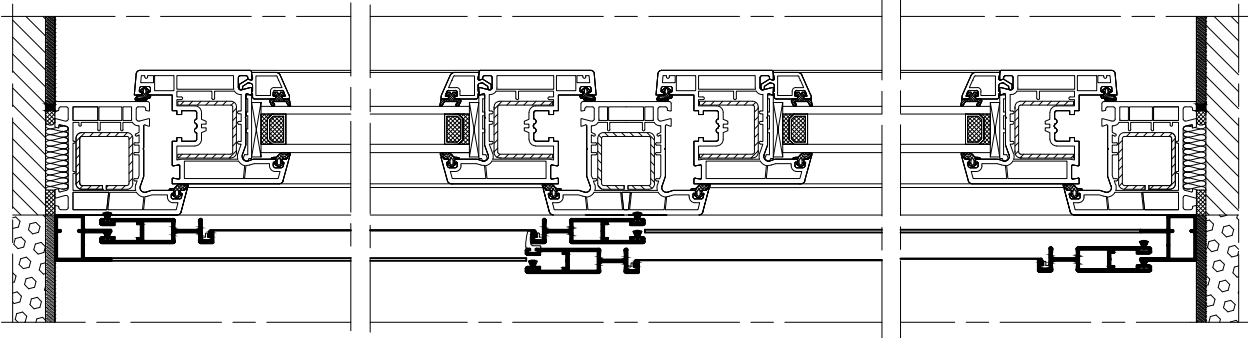


Moskito system - examples of development

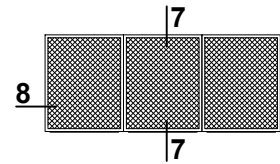


Scale 1:4

6 MRP - 03

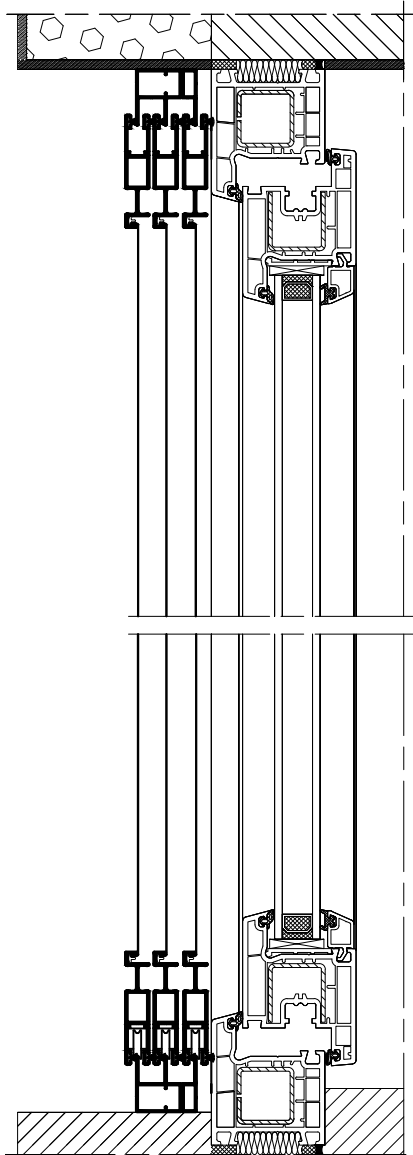


Moskito system - examples of development

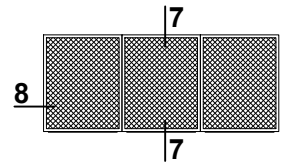


Scale 1:4

8 MRP - 04

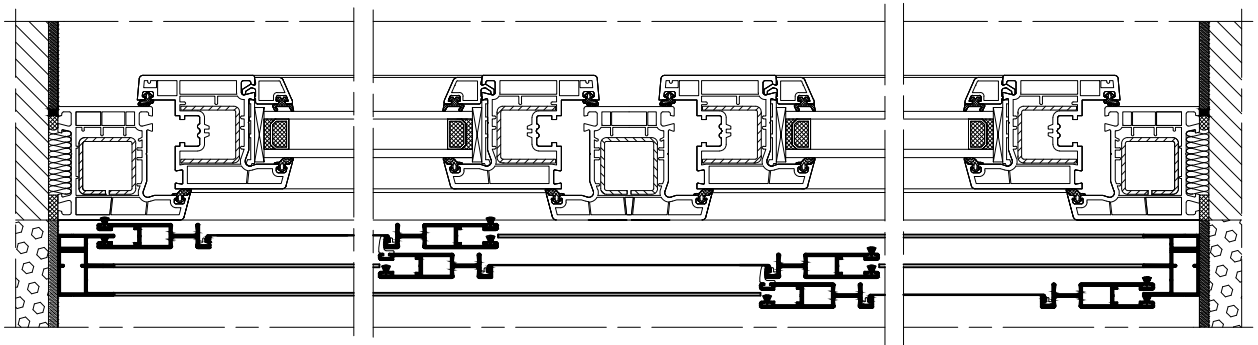


Moskito system - examples of development

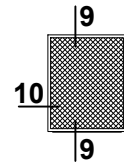


Scale 1:4

9 MRP - 04

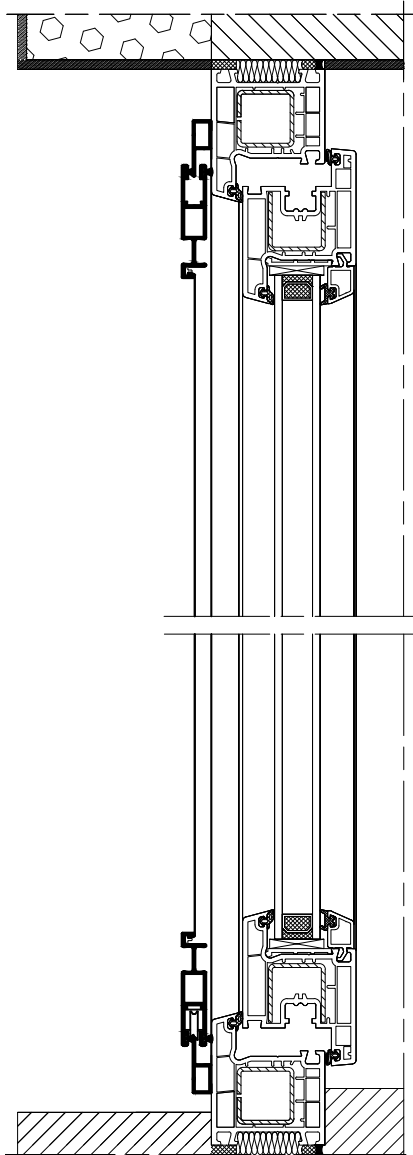


Moskito system - examples of development

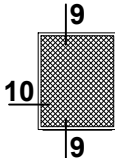


Scale 1:4

9 MRP - 05

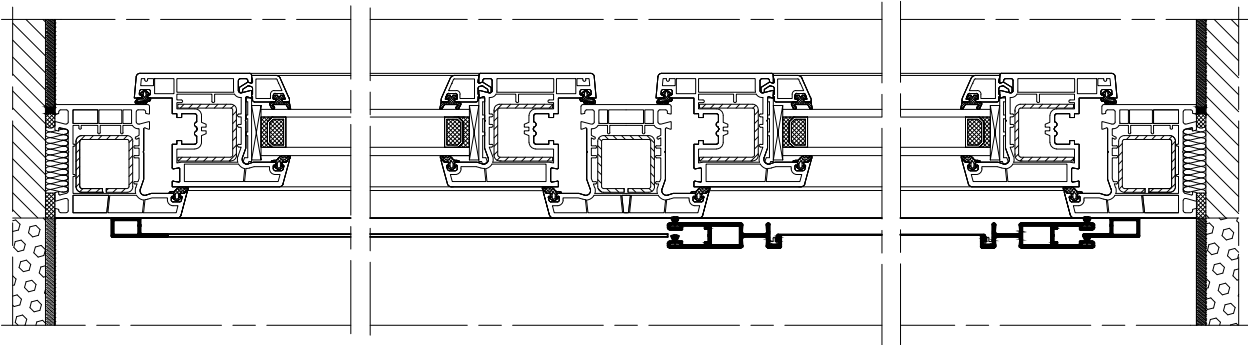


Moskito system - examples of development

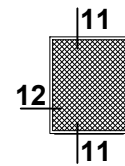


Scale 1:4

10 MRP - 05

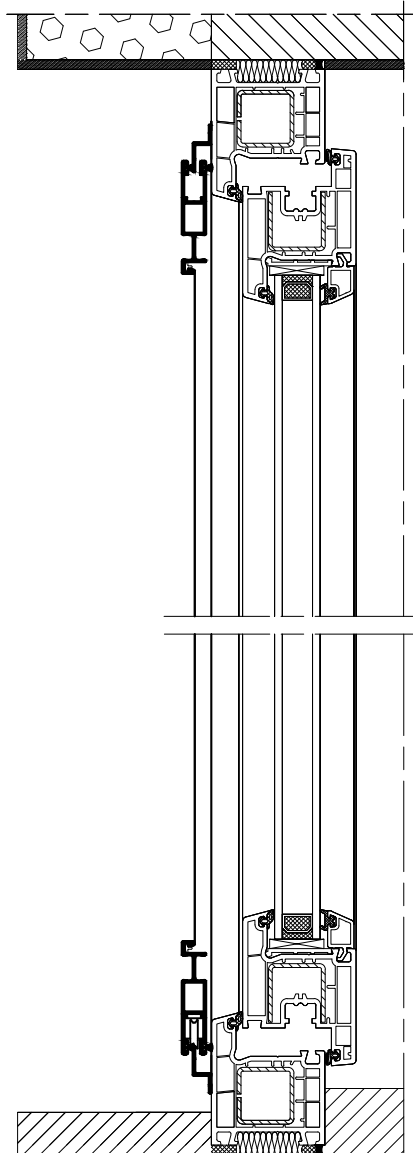


Moskito system - examples of development



Scale 1:4

11 MRP - 06

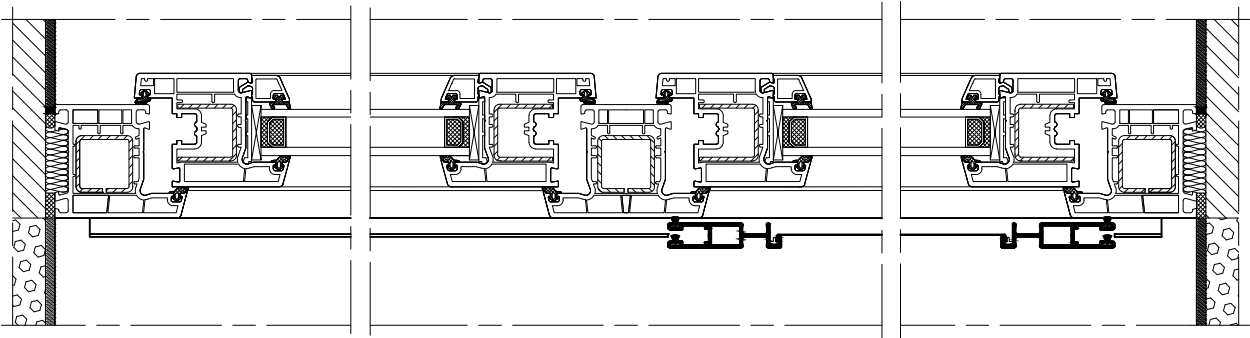


Moskito system - examples of development

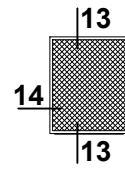


Scale 1:4

12 MRP - 06

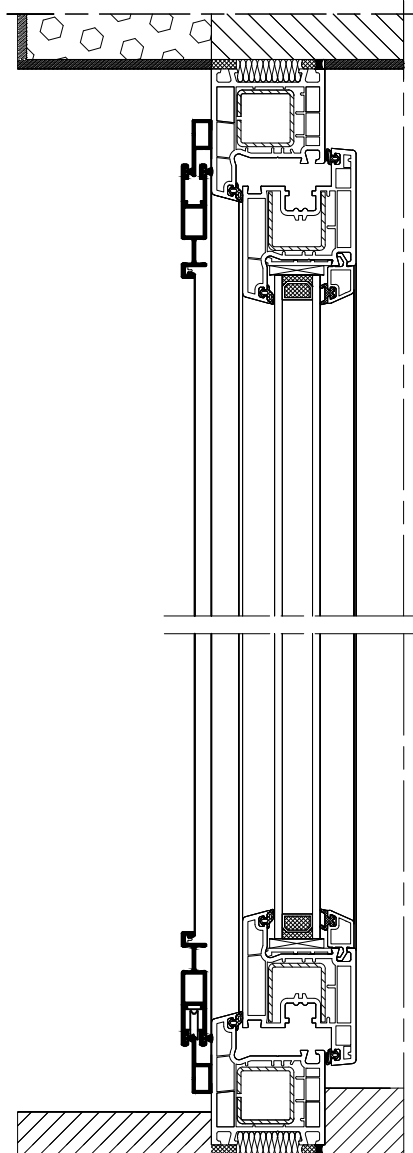


Moskito system - examples of development

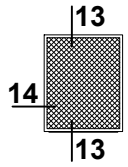


Scale 1:4

13 MRP - 07

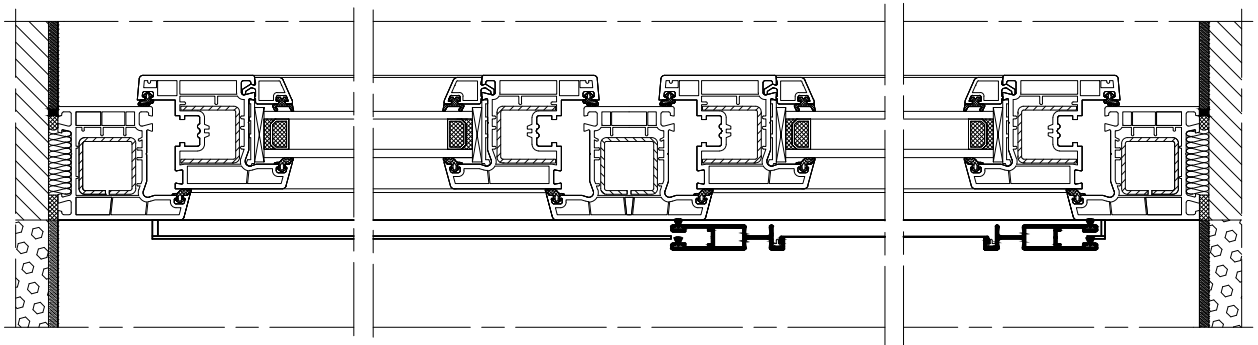


Moskito system - examples of development

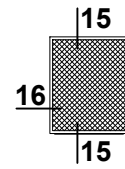


Scale 1:4

14 MRP - 07

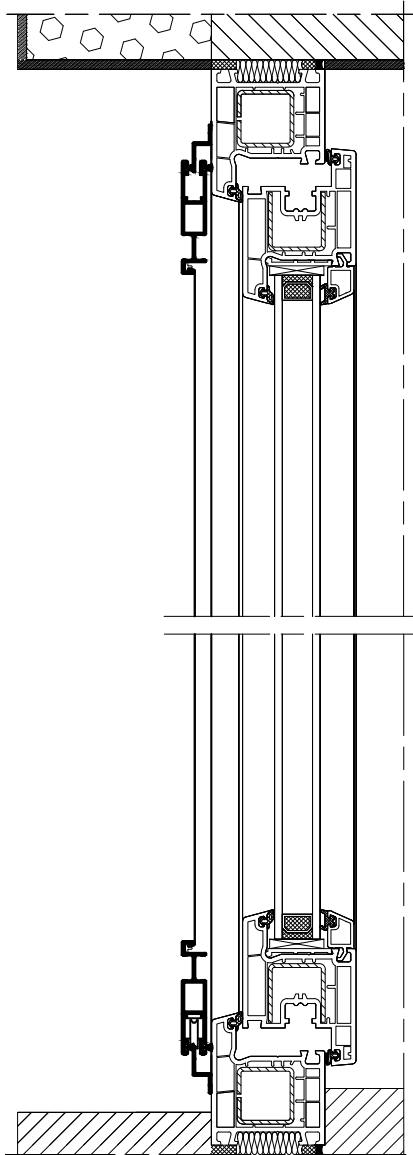


Moskito system - examples of development

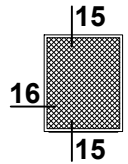


Scale 1:4

15 MRP - 08

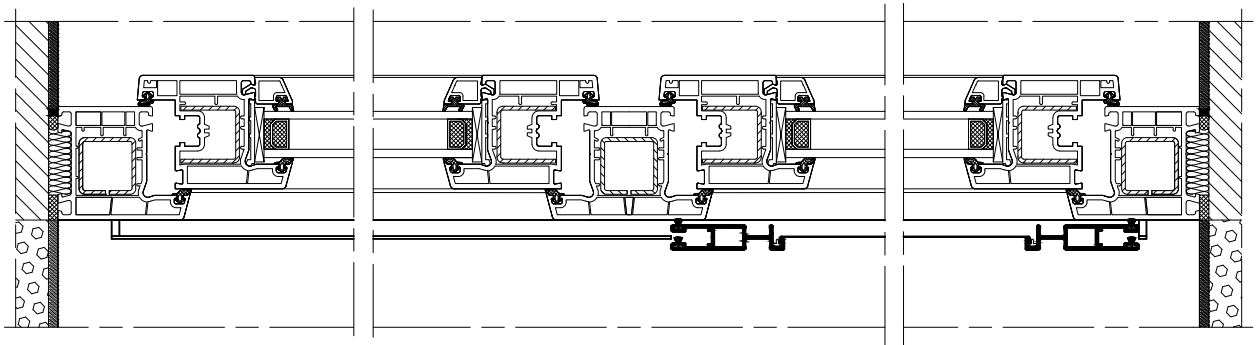


Moskito system - examples of development

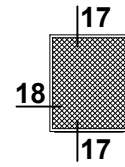


Scale 1:4

16 MRP - 08

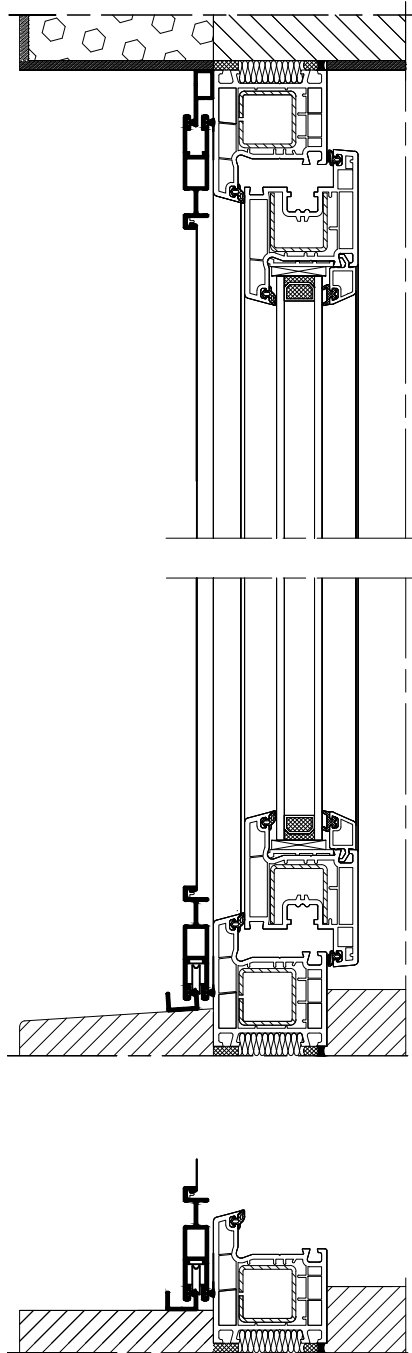


Moskito system - examples of development

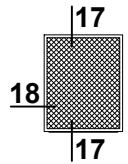


Scale 1:4

17 MRP - 09

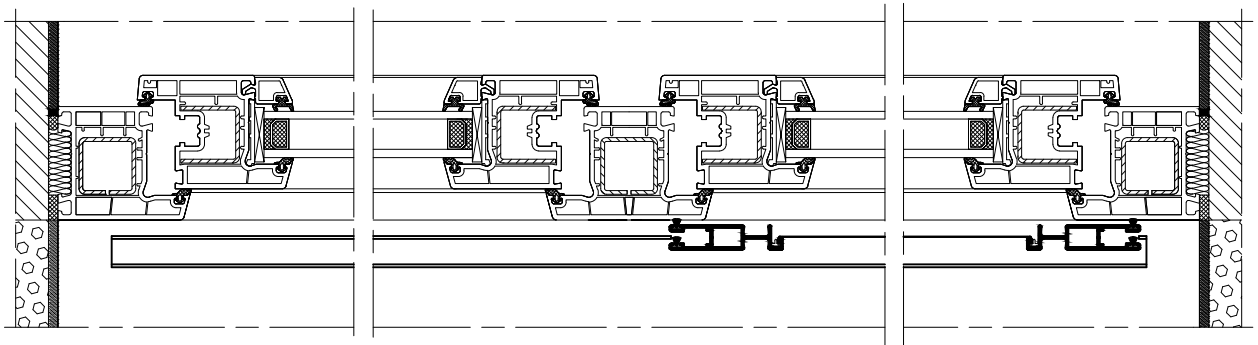


Moskito system - examples of development

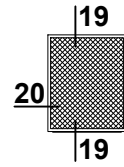


Scale 1:4

18 MRP - 09

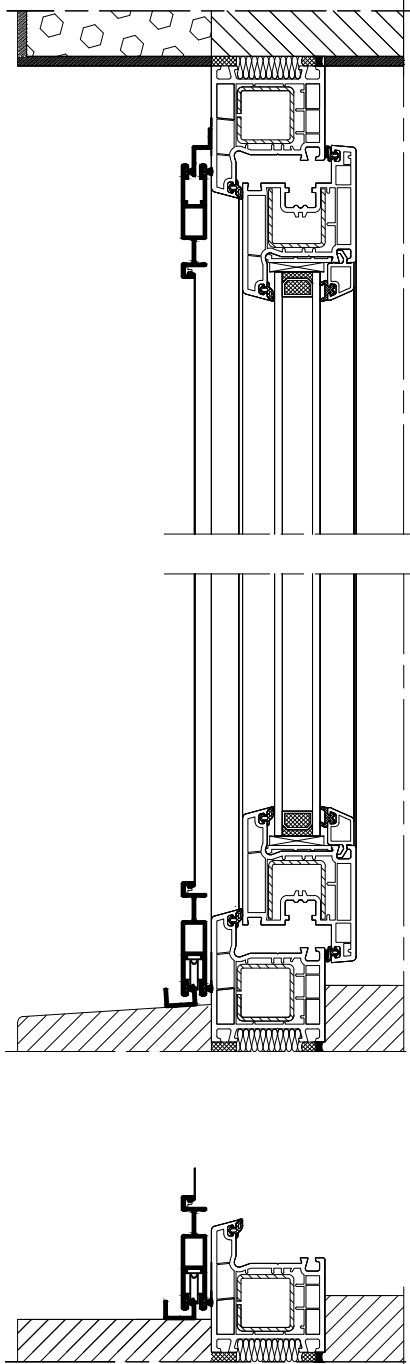


Moskito system - examples of development

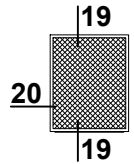


Scale 1:4

19 MRP - 10

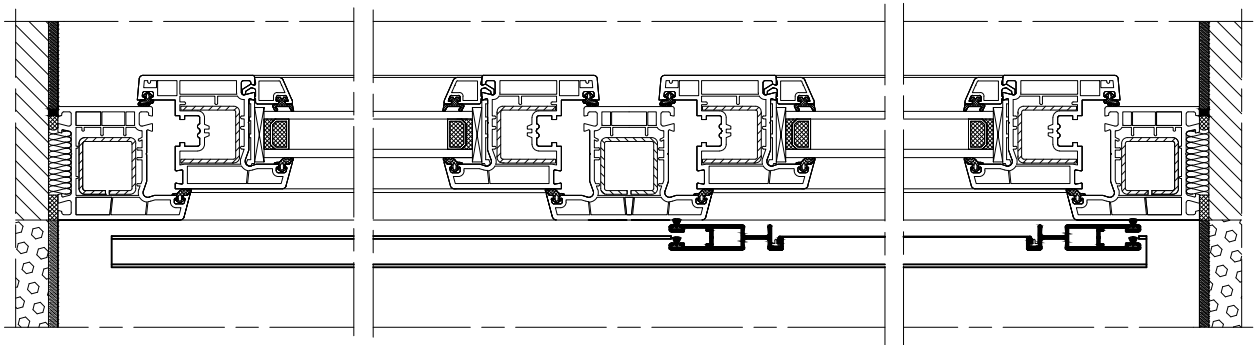


Moskito system - examples of development

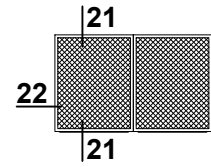


Scale 1:4

20 MRP - 10

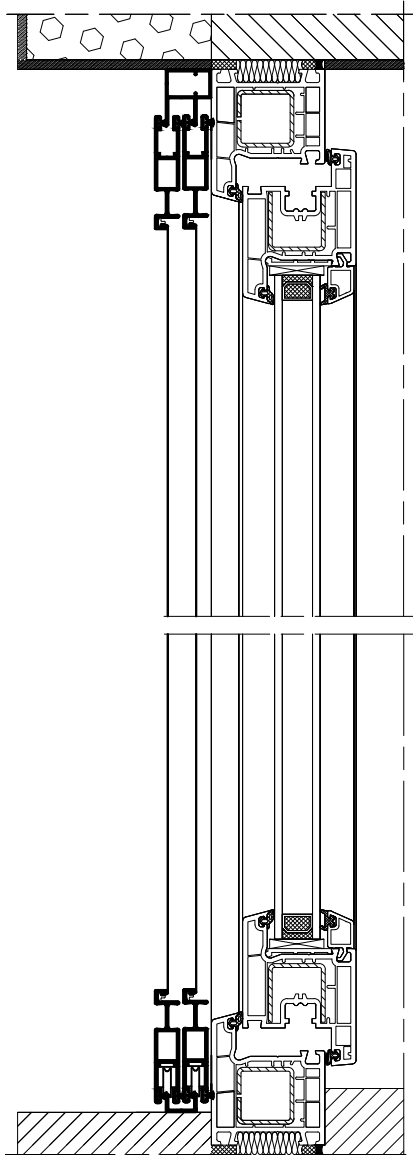


Moskito system - examples of development

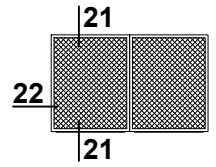


Scale 1:4

21 MRP - 11

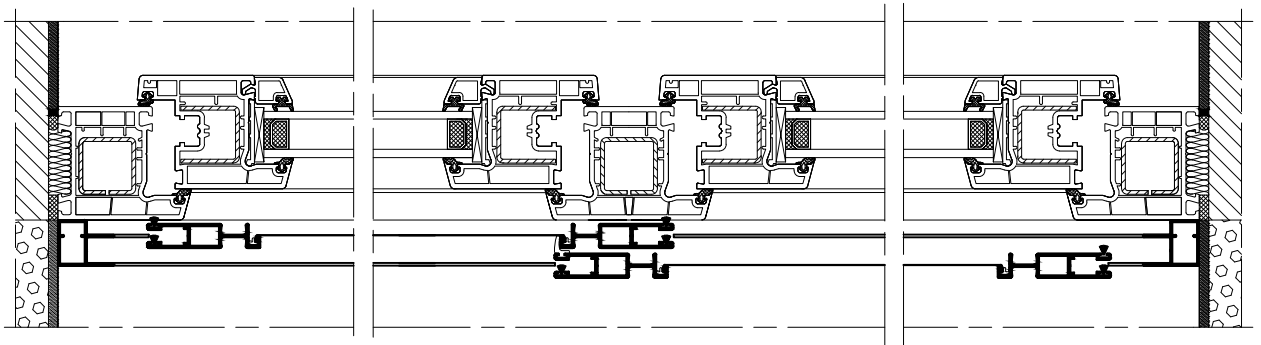


Moskito system - examples of development

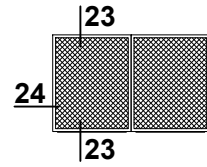


Scale 1:4

22 | MRP - 11

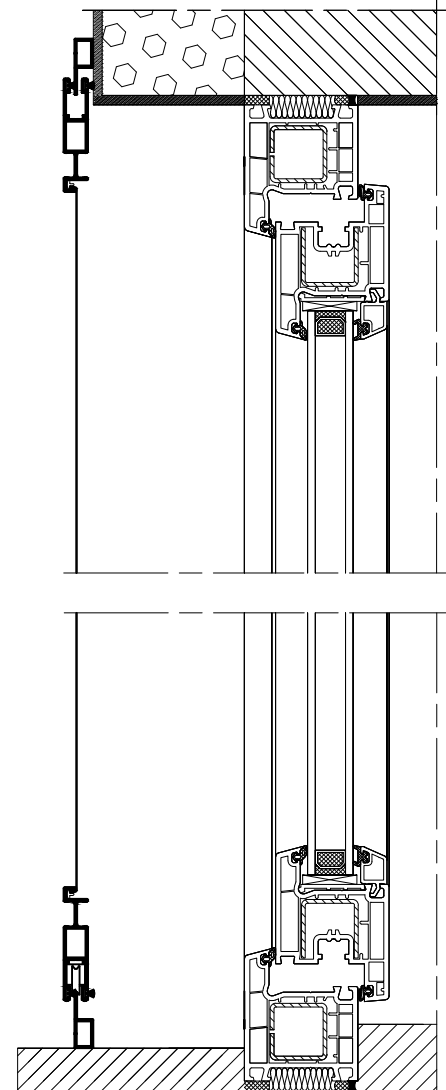


Moskito system - examples of development

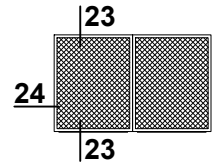


Scale 1:4

23 MRP - 12

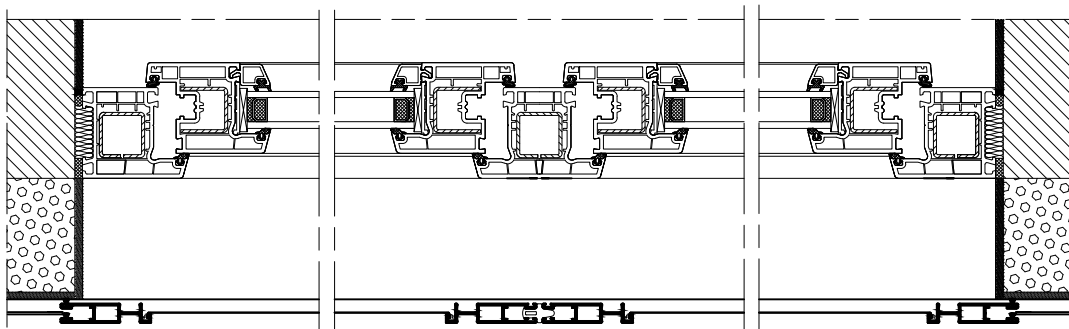


Moskito system - examples of development

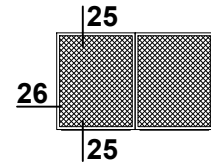


Scale 1:5

24 MRP - 12

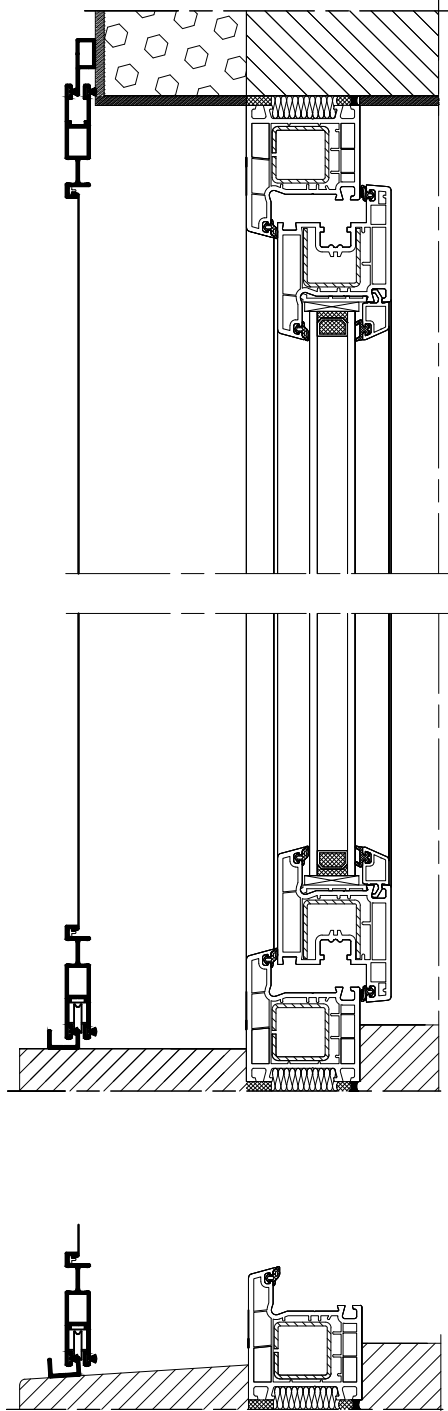


Moskito system - examples of development

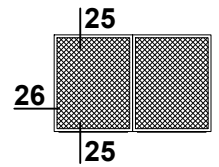


Scale 1:4

25 MRP - 13

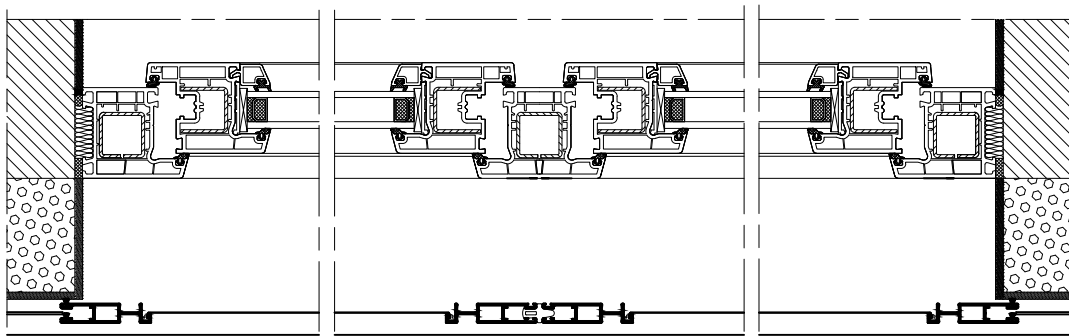


Moskito system - examples of development

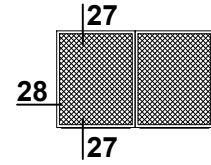


Scale 1:5

26 MRP - 13

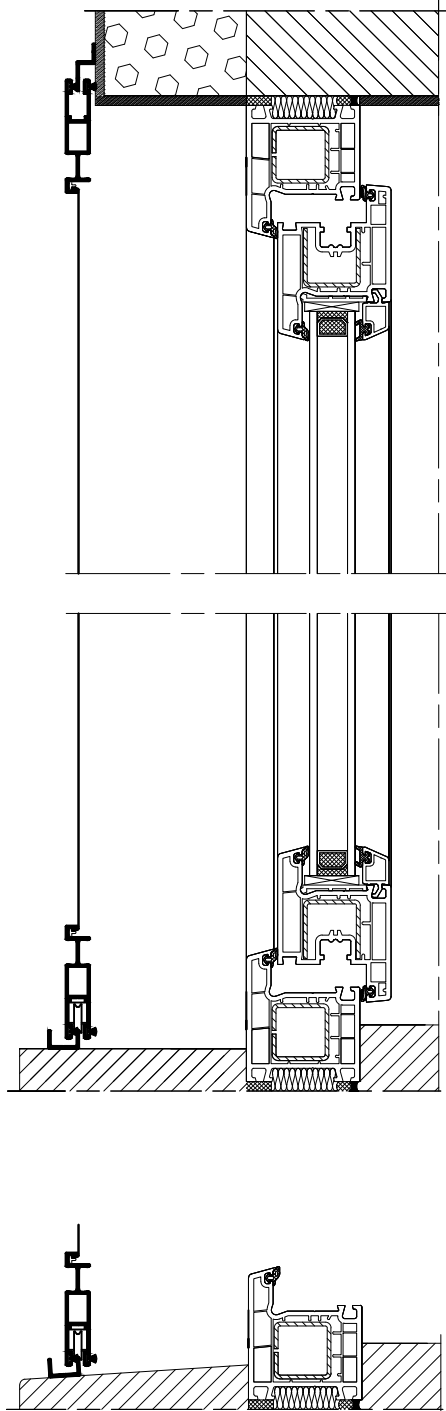


Moskito system - examples of development

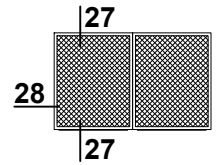


Scale 1:4

27 MRP - 14

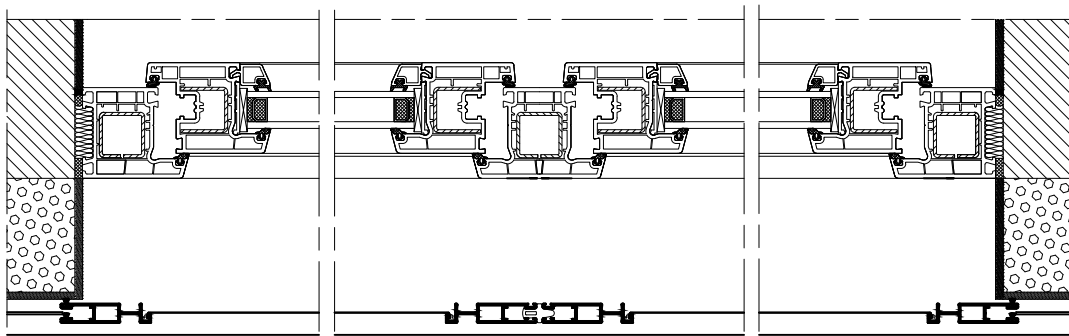


Moskito system - examples of development

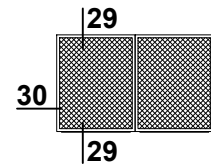


Scale 1:5

28 MRP - 14

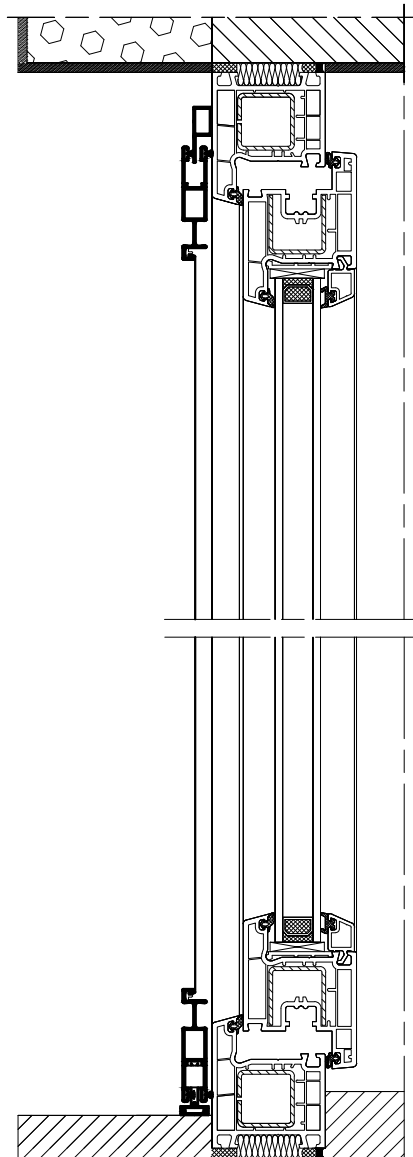


Moskito system - examples of development

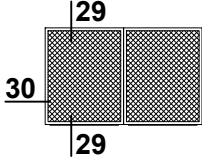


Scale 1:4

29 MRP - 15



Moskito system - examples of development



Scale 1:4

30 MRP - 15

