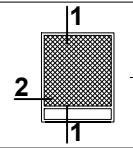


MRO

Moskito system - examples of development

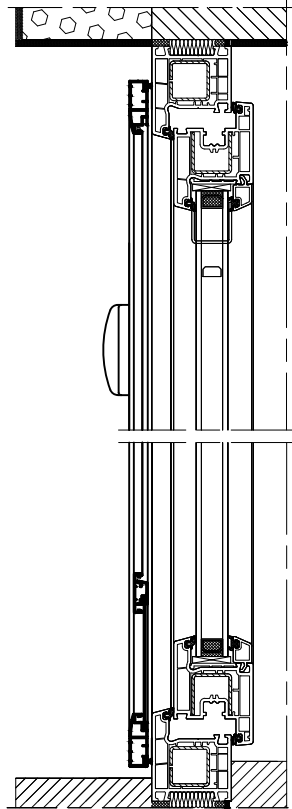


*Piktogram
(description
of the cross
section)*

*Scale
of the drawing*

Scale 1:4

1 MRO - 01



*Date
of update*

06/2017



MRO / 17

Page number

*Number of the cross
section (as the piktogram)*

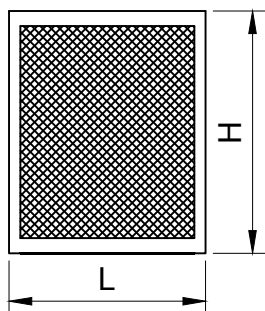
*Variant of the
cross section*



System

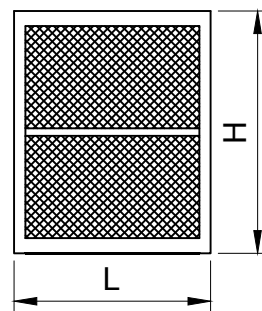
Maximum mosquito systems' dimensions

MRO Swing insect screens



PG MRO profile

Hmax = 2000 mm
Lmax = 900 mm
Fmax = H x L = 1.8 m²



PG MRO with PL MRO profile

Hmax = 2500 mm
Lmax = 1500 mm
Fmax = H x L = 3.75 m²

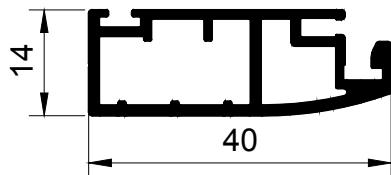
MRO

Moskito system profiles

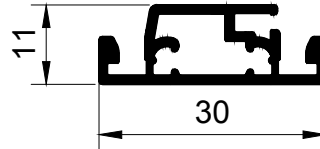
MRO Swing insect screens

Scale 1:1

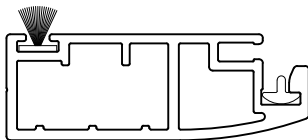
PG MRO



PL MRO

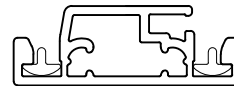


brush seal



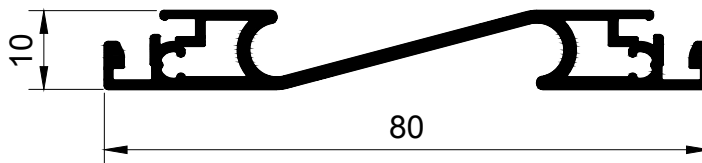
rubber seal

rubber seal



rubber seal

PLU MRO



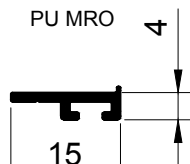
rubber seal



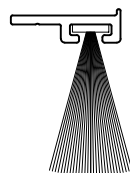
rubber seal

Frame

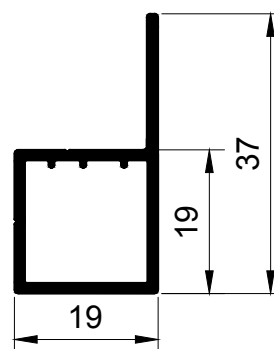
PU MRO



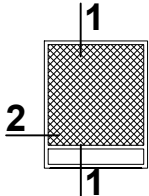
brush seal



PG RMRO

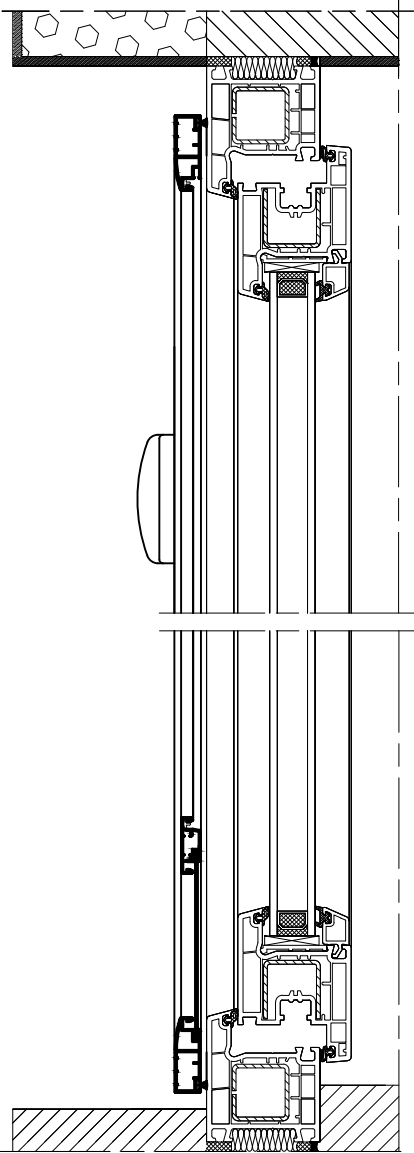


Moskito system - examples of development

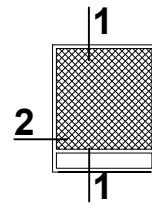


Scale 1:4

1 MRO - 01

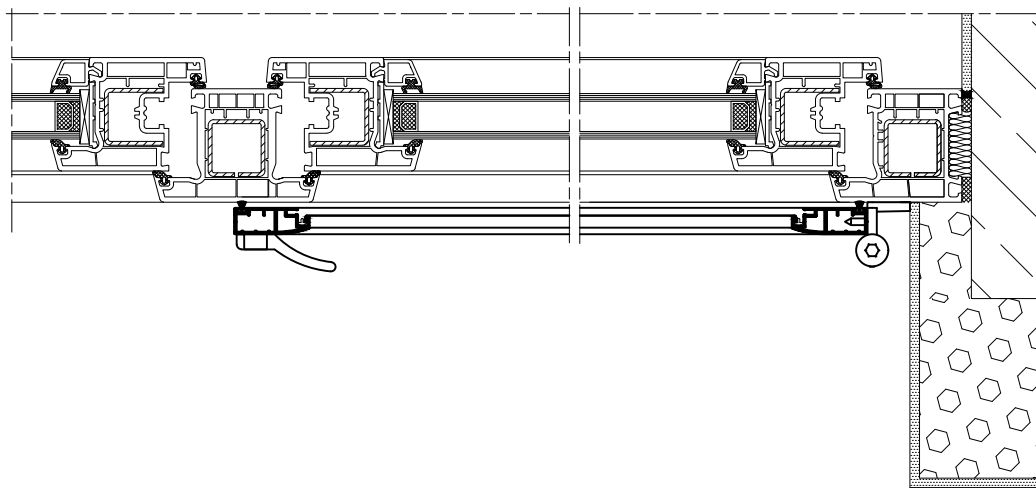


Moskito system - examples of development

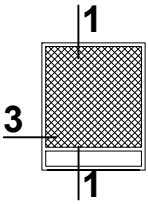


Scale 1:4

2 MRO - 01

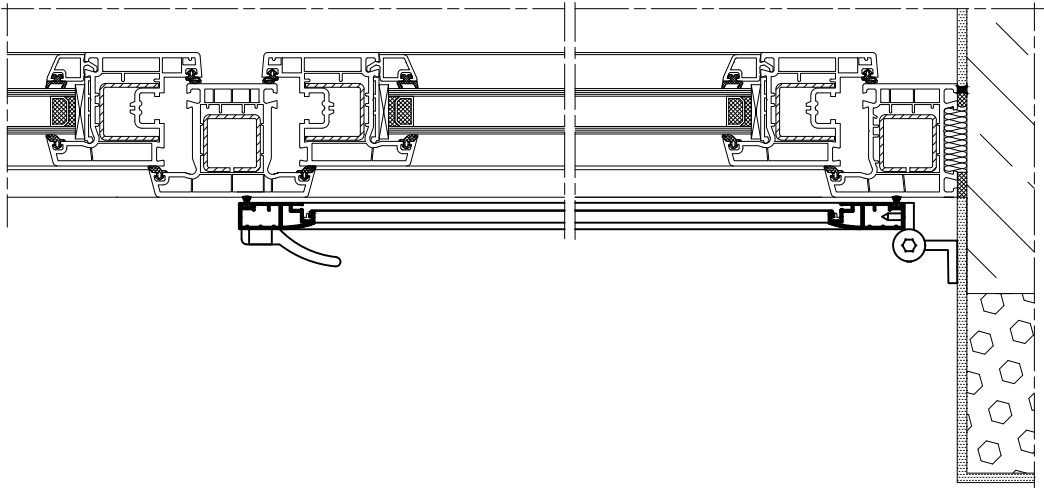


Moskito system - examples of development

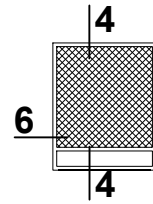


Scale 1:4

3 MRO - 01

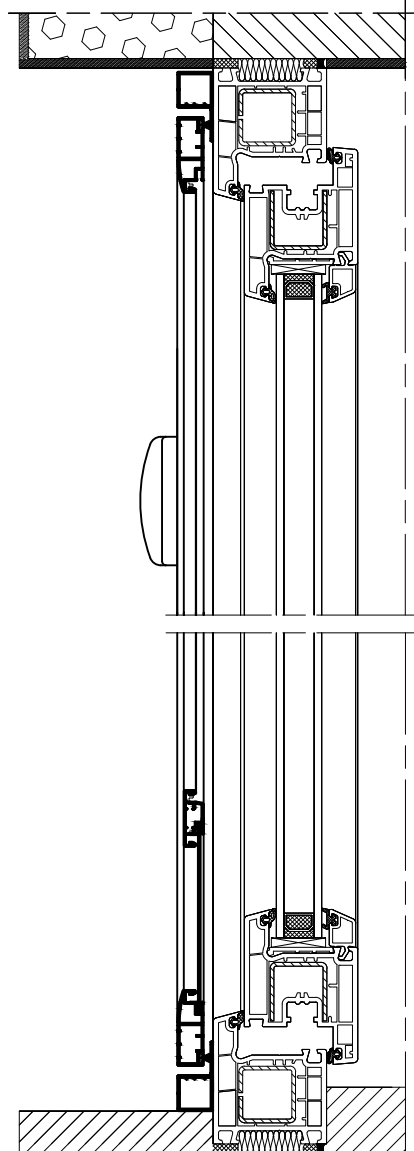


Moskito system - examples of development

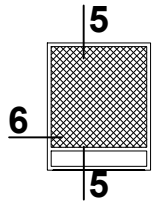


Scale 1:4

4 MRO - 02

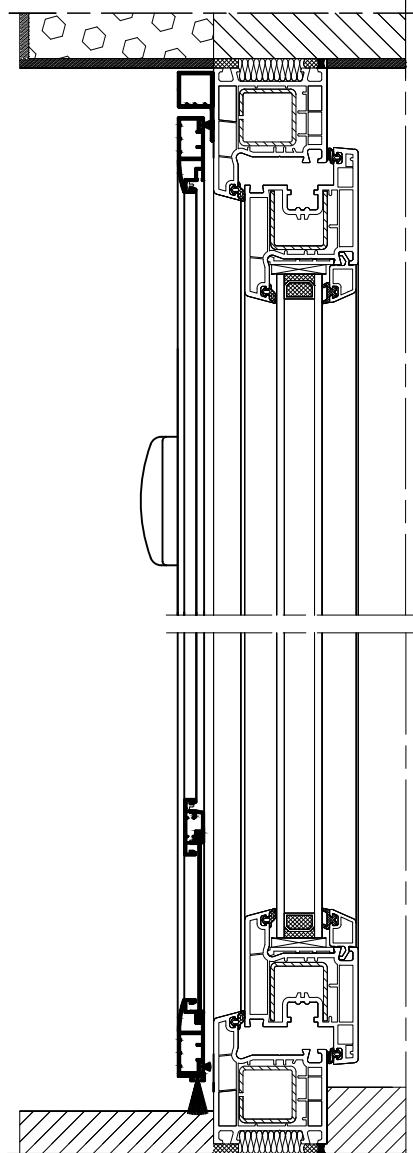


Moskito system - examples of development

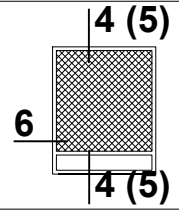


Scale 1:4

5 MRO - 03



Moskito system - examples of development



Scale 1:4

6 MRO - 02
MRO - 03

